

# 50Hz NEO® 140 Undercounter Ice Machines

NEO® 140 Undercounter Ice Machines

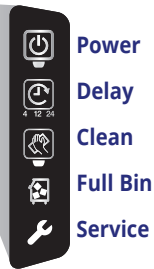
Models

UDP-0140A

UYP-0140A



U-140



- Ranging from 141kg (90 lbs) to 58 kg (127 lbs) daily ice production.
- Only 66.04 cm (26") wide, 72.4 cm (28.5") deep, and 97.8 cm (38.5") high on 15.24 cm (6") legs.
- Cabinet volume 0.086 m3 (3.037 ft3).
- 40 kg (90 lbs) ice storage capacity\*
- \* Application capacity based on: 90% volume x 33lbs/ft3 average density of ice.

NEO undercounter ice machines are designed to provide ice right where you need it – within reach. Improvements in **Performance, Intelligence** and **Convenience** make your ice machine easy to own and less expensive to operate.

**Performance** – NEO produces more ice than ever before while using less water and energy. The storage bin provides industry leading capacity.

**Intelligence** – NEO provides feedback with full bin and service indicators. Delay function allows you to pause your machine for slow periods or days when you're closed.

**Convenience** – NEO offers a forward-sliding storage bin for easy access to refrigeration components without having to move the entire ice machine. Smooth, sealed foodzone with removable water trough, distribution tube, and damper door for faster cleaning. AlphaSan added to key internal components.

Available **LumiIce®** Virus and Bacteria Inhibitor controls viruses, bacteria, mold and yeast within the food zone to keep the machine clean longer.

## Specifications

### BTU Per Hour:

U-140: 2,296 (average)  
2,740 (peak)

### Compressor:

Nominal rating: .42 HP

### Refrigerant:

R290

### Operating Limits:

- Ambient Temperature Range: 4.4° to 43.3° C (40° to 110° F)
- Water Temperature Range: 4.4° to 32.2° C (45° to 90° F)
- Water Pressure Ice Maker Water In: Min. 20 psi (137.9 kPa) Max. 80 psi (551.1 kPa)



## Ice Machine Electric

230/50/1 ice machines are factory pre-wired with a 180 CM (6') power cord only, no plug is supplied.

### Total Amps:

UYP0140A - 2.5 AMPS

### Maximum fuse size:

Air-cooled: 15 amps  
HACR-type circuit breakers can be used in place of fuses.

## Ice Shape



**Dice**  
2.22 x 2.22 x 2.22 cm  
(7/8" x 7/8" x 7/8")



**Half Dice**  
.95 x 2.86 x 2.22 cm  
(3/8" x 1 1/8" x 7/8")



Manitowoc Ice reserves the right to make changes to the design or specifications without prior notice.

Welbilt Deutschland GmbH  
Auf der Weih 11  
D - 35745 Herborn, Germany  
Tel.: +49 27 72 58 050  
welbilt.com.de

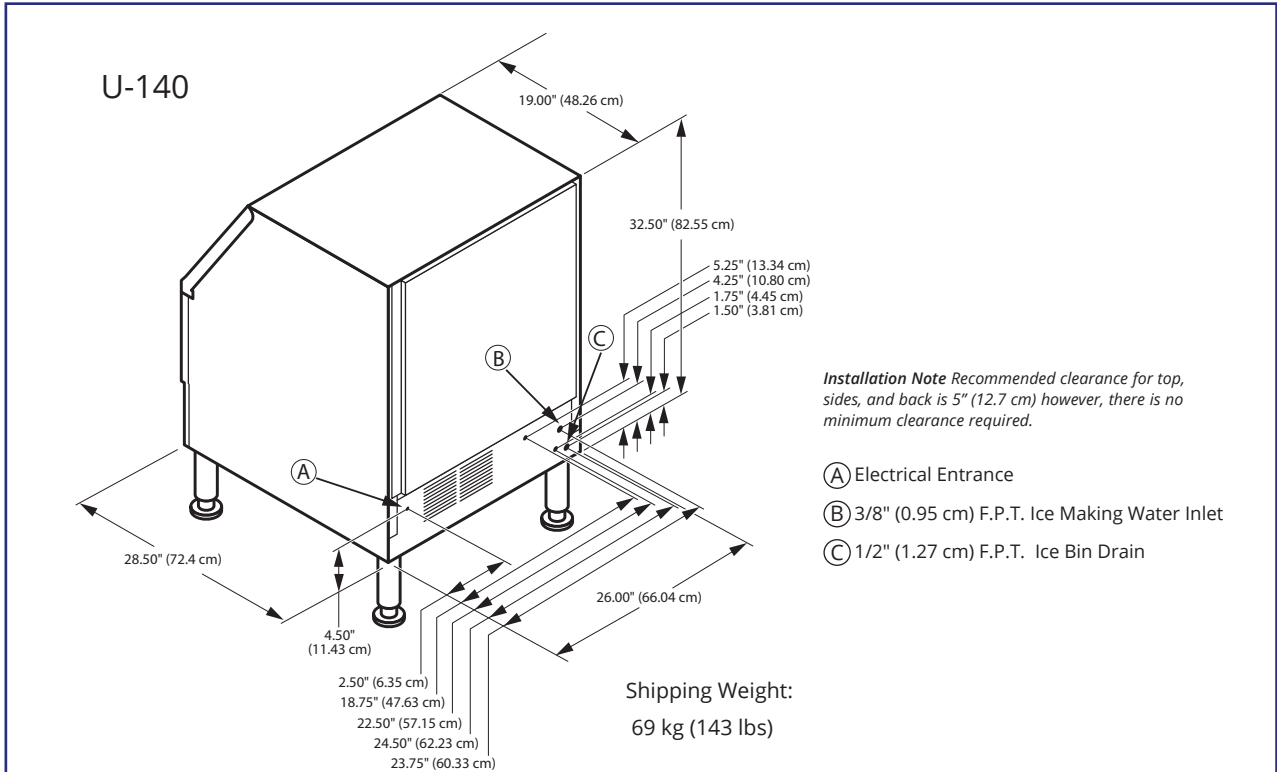
Welbilt Iberia, S.A.U  
Textil, 6 - Pol.Ind. La Ferreria - 08110  
Montcada i Reixac  
Barcelona, Spain  
Tel.: +34 902 20 10 69  
welbilt.com.es

Welbilt UK  
Ashbourne House The Guildway,  
Old Portsmouth Rd Guildford GU3  
1LR United Kingdom  
Tel.: +44 1483 464900  
www.welbilt.uk



50Hz

NEO® 140 Undercounter Ice Machines



## Specifications

Model	Ice Shape	Ice Production 24 Hours				Power kWh/ 45.5 kgs. @ 32°/21°C 90°/70°F	Potable water usage Liters/45.5 kgs. ice @ 32°/21°C 90°/70°F
		21°Air/10°C Water 70°Air/50°F Water	32°Air/21°C Water 90°Air/70°F Water				
UDP-0140A	Dice	58 kg	127 lbs	41 kg	90 lbs	10.19	94.3
UYP-0140A	Half-Dice	58 kg	127 lbs	41kg	90 lbs	10.79	92.4

\* Add "E" for WRAS approved models (ie. UDP0140AE). WRAS models not NSF listed.

Standard 15.24 cm / 6" adjustable flange foot - gray painted legs included.

Standard plastic NEO ice scoop included.

## Accessories / Features

### LuminIce® II Virus and Bacteria Inhibitor

controls viruses and bacteria inside the ice machine.



### Arctic Pure® Plus Water Filters

reduce sediments and chlorine contaminants down to .5 microns. Use with a Pre-filter is recommended.



### Removable Bin

allows for easier service.



### Air Flow

Air in right, air out left, no side vents. Great for installation under countertops and next to other equipment.

